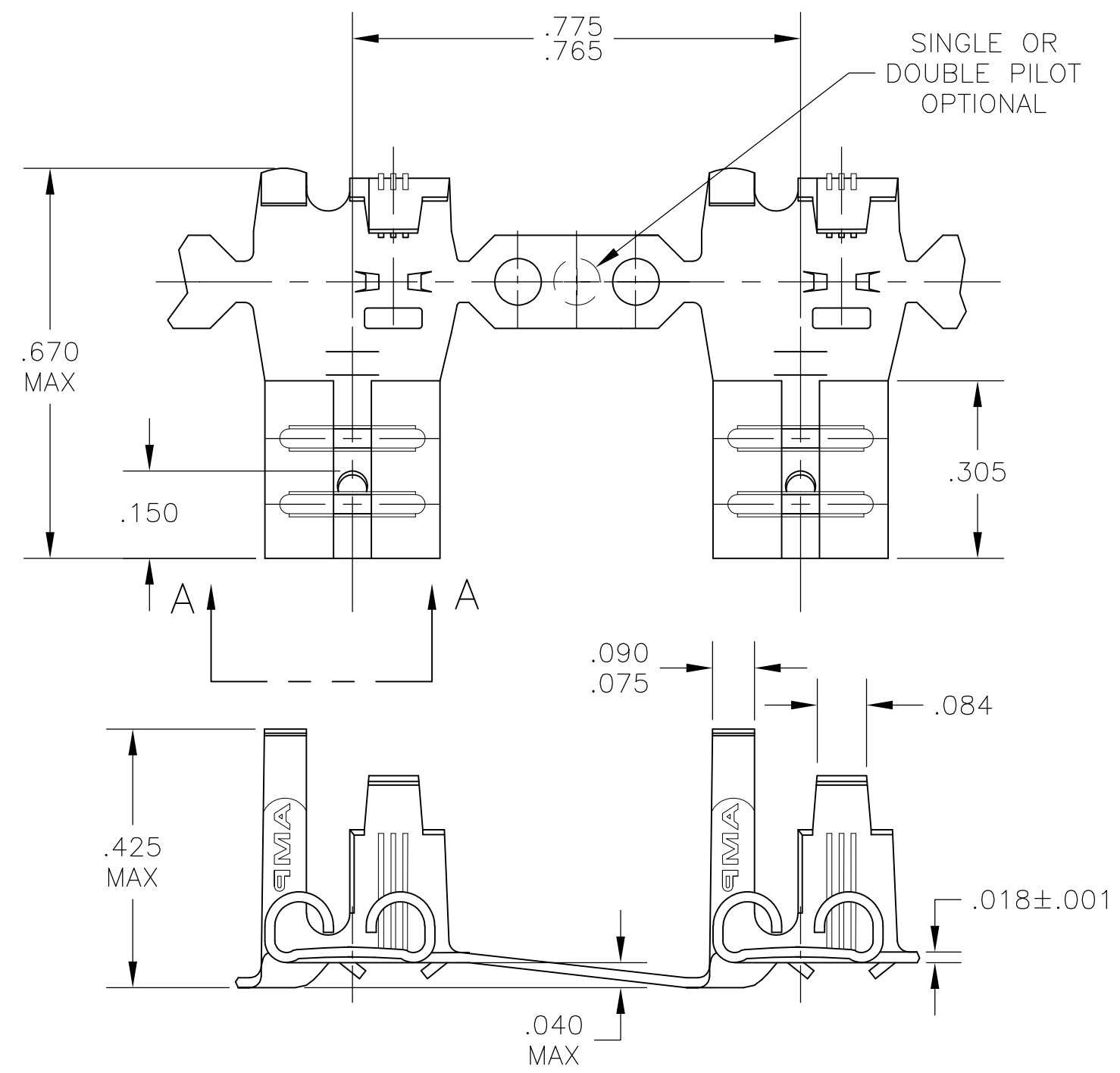


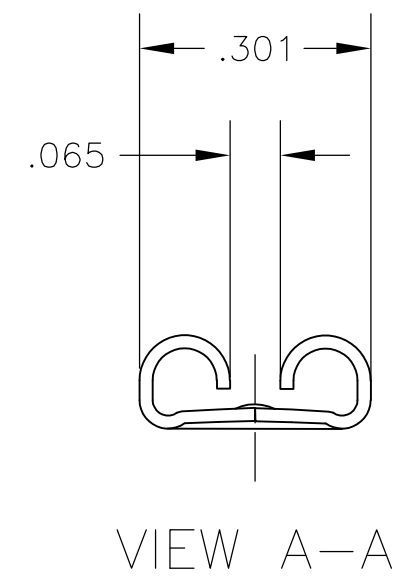
THIS DRAWING IS UNPUBLISHED. RELEASED FOR PUBLICATION
 © COPYRIGHT - By - ALL RIGHTS RESERVED.

LOC	DIST	REVISIONS			
P	LTR	DESCRIPTION	DATE	DWN	APVD
AF	50	AA	REVISED PER ECR-12-013445	18OCT12	KH PD



SINGLE OR
DOUBLE PILOT
OPTIONAL

- 1 CONTINUOUS STRIP ON REELS
- 2 MATING TAB THK IS .032±.001.
- 3 WIRE SIZE IS #18-#12 AWG
- 4 INSULATION RANGE IS .110-.210 DIA.



NICKEL	#2H STEEL	41531-1
-	BRASS	41531
FINISH	MATERIAL	PART NO.

THIS DRAWING IS A CONTROLLED DOCUMENT.		DWN	JR RUTH	18OCT02	STE TE Connectivity				
DIMENSIONS: INCHES		CHK	P DESANTIS	18OCT02					
		APVD	P DESANTIS	18OCT02					
		PRODUCT SPEC		NAME		RECEPTACLE, FLAG, FASTON, .250 SERIES			
MATERIAL SEE TABLE		FINISH SEE TABLE		APPLICATION SPEC	SIZE	CAGE CODE	DRAWING NO	RESTRICTED TO	
CUSTOMER DRAWING				WEIGHT	-	A3	00779	C-41531	-
				SCALE	4:1	SHEET	1 OF 1	REV	AA